

## 4. HS1000- Hygiene station IN/OUT-Version

Hygiene station In / Out version - from two sides accessibly

IN:

1. Walk-through disinfection basin with automatic filling and simultaneous addition of cleaning agent and disinfectant by a metering pump, incl. automatic supplement of cleaning agent and disinfectant according to the amount of passage. Adjacent at the disinfection basin is the dripping zone
2. sensor-controlled hand disinfectant dispenser (two-hand actuation): an adjustable amount of disinfectant is dispensed into both hands
3. The actuation of the hand disinfection unit activates the visual release recognition (red cross = locked, green arrow = open) and triggers a one-off release of the turnstile. The 3-armed, electromechanical turnstile, set open in direction of travel and locked in the opposite direction

OUT:

1. The motors of the horizontal rotating brushes as well as the water (via solenoid valve) and detergent (via injector) supplies are activated by stepping onto the grid and stop immediately after leaving the grid (no coasting and therefore cost-effective);
2. Adjacent 3-armed mechanical turnstile, set open in direction of travel and locked in the opposite direction,

The Two retainers for the disinfectant and cleaning agent are mounted easily accessible on the unit.

Technical Data:

Material: Stainless steel 1.4301

Electrical mains: 400 V 50 Hz, 16 A

Power consumption: 2 kW

Control voltage: 24 V / DC

Stainless steel switchboard:

- integrated on the unit
- protection class IP 64
- ventilator to avoid condensation

Water inlet connection: 1/2", warm water (30-45°C)

Water outlet connection: DN50

## Executions

See next sides

## HS1000/10

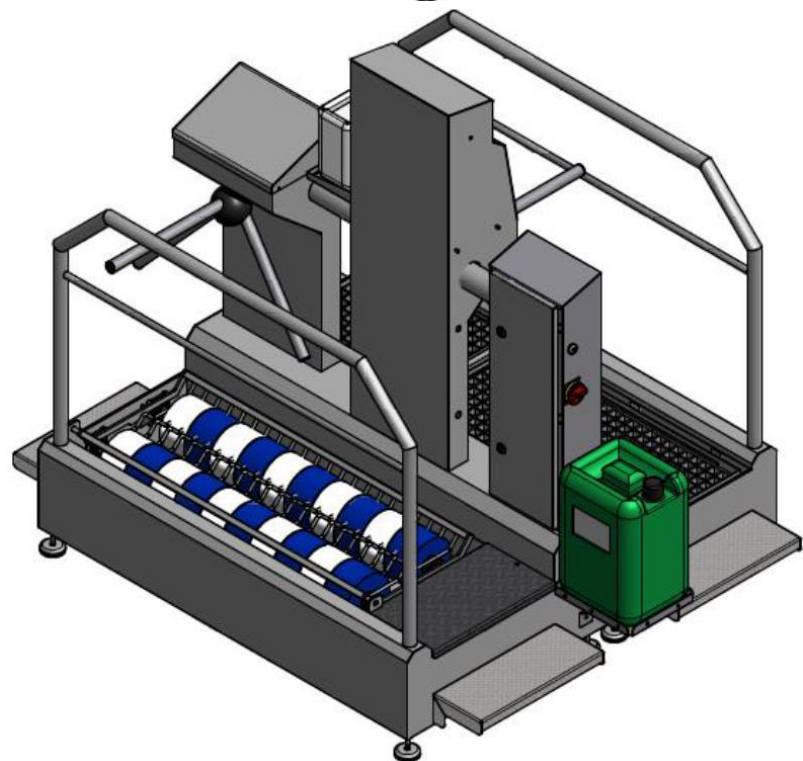
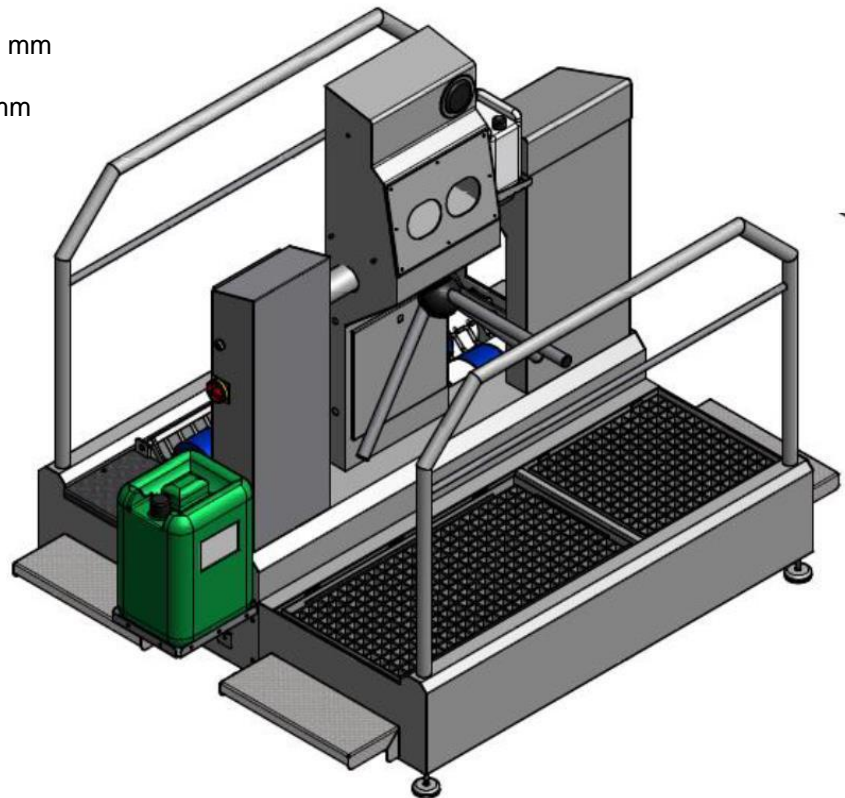
Dimension LxWxH:  
approx. 1000/1400 x 1500 x 300/1800 mm

effective length of brushes: 2 x 500 mm

## HS1000/15

Dimension LxWxH:  
approx. 1490/1890 x 1500 x 300/1800 mm

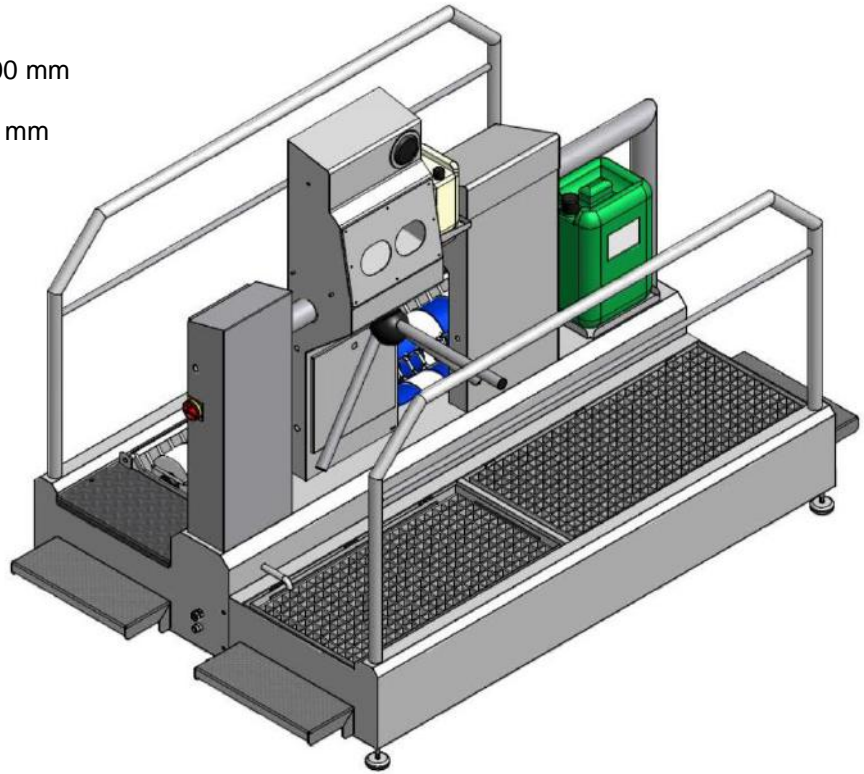
effective length of brushes: 2 x 1000 mm



## HS1000

Dimension LxWxH:  
approx. 2000/2400 x 1500 x 300/1800 mm

effective length of brushes: 2 x 1500 mm



## HS1000/25

Dimension LxWxH:  
approx. 2500/2900 x 1500 x 300/1800 mm

effective length of brushes: 2 x 2000 mm

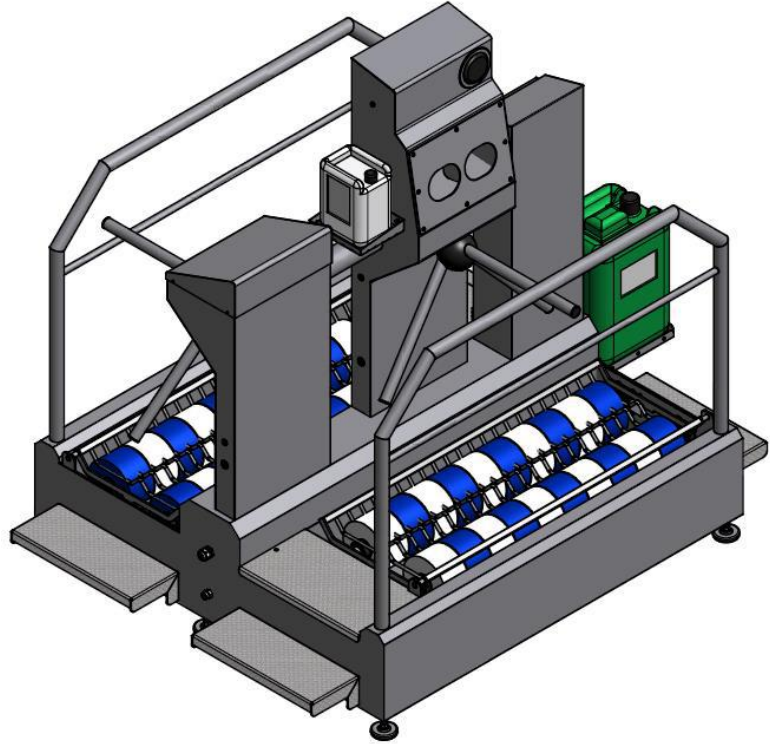
## Examples – special executions

### HS1000/15.B

Complete with shoe cleaning with brushes (no pass through disinfection basin)

Dimension LxWxH:  
approx. 1400/1890 x 1450 x 300/1750 mm

effective length of brushes: 4 x 1000 mm

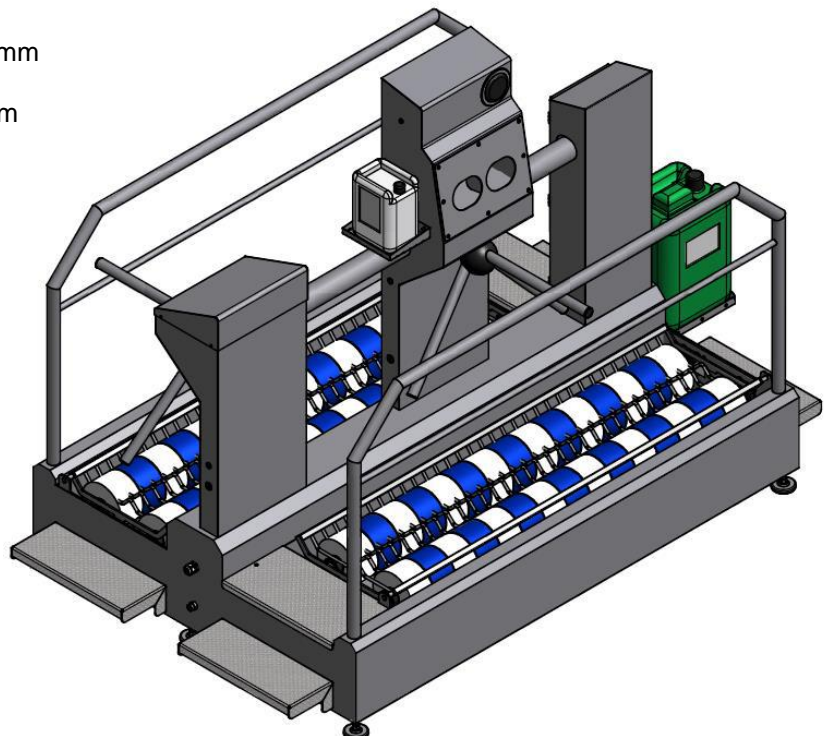


### HS1000/20.B

Complete with shoe cleaning with brushes (no pass through disinfection basin)

Dimension LxWxH:  
approx. 2000/2400 x 1450 x 300/1750 mm

effective length of brushes: 4 x 1500 mm

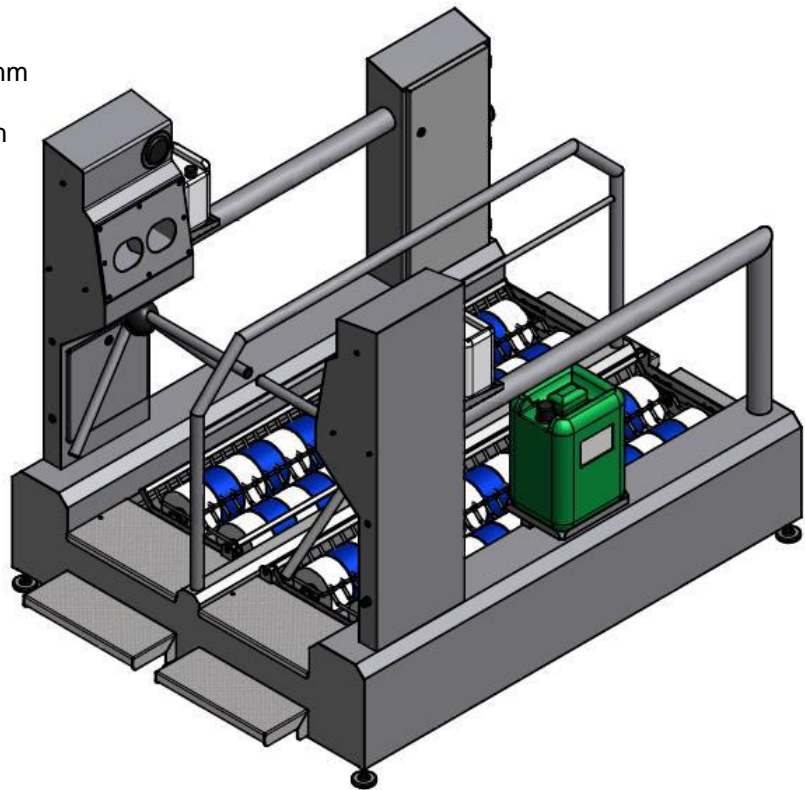


## HS1000/20B.3

Complete with shoe cleaning with brushes (no pass through disinfection basin) as well as simultaneously use of both lines in one direction.

Dimension LxWxH:  
approx. 1990/2390 x 1450 x 300/1750 mm

effective length of brushes: 4 x 1500 mm

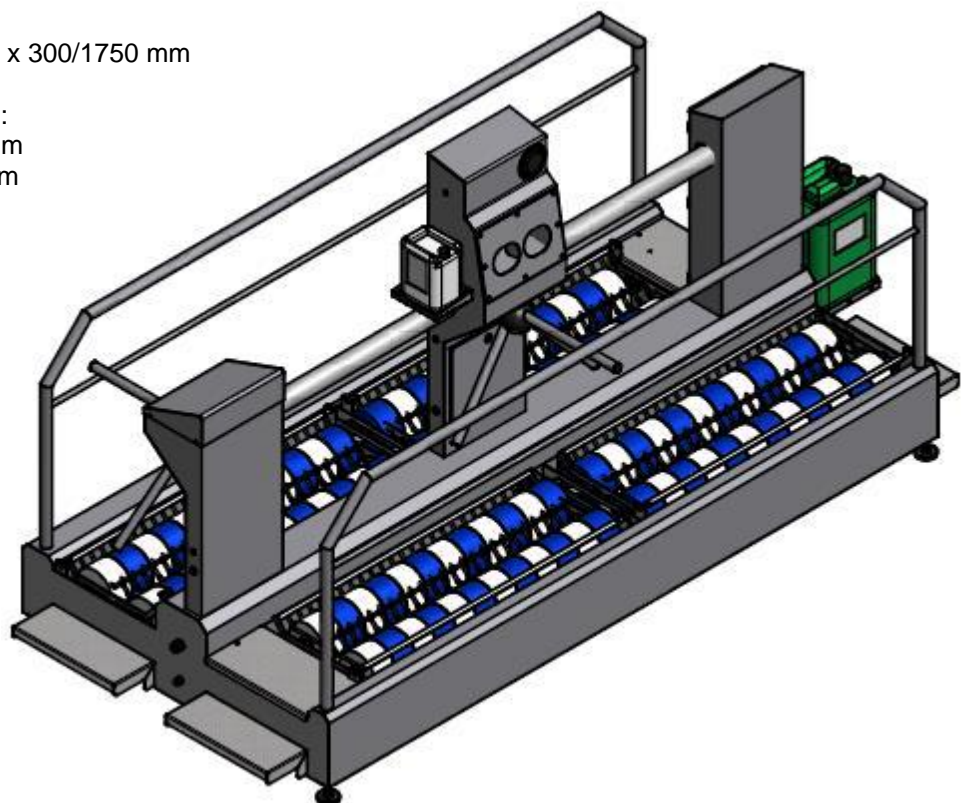


## HS1000/30B.N/T

Complete with shoe cleaning with brushes for dry and wet cleaning of shoes

Dimension LxWxH:  
approx. 2990/3390 x 1500 x 300/1750 mm

effective length of brushes:  
- wet cleaning: 4 x 1200 mm  
- dry cleaning: 4 x 1200 mm



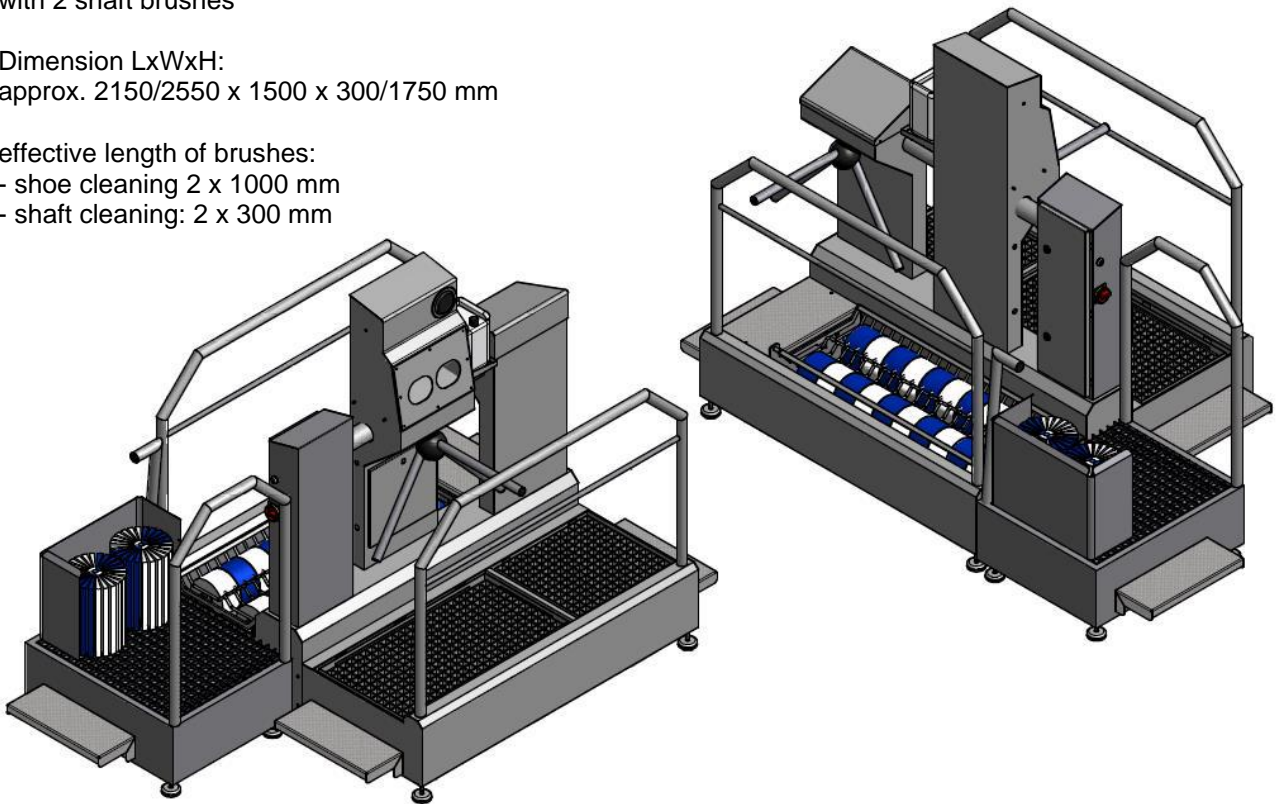
## HS1000/15 with boot shaft cleaning module

With boot shaft cleaning module and pass through disinfection basin

with 2 shaft brushes

Dimension LxWxH:  
approx. 2150/2550 x 1500 x 300/1750 mm

effective length of brushes:  
- shoe cleaning 2 x 1000 mm  
- shaft cleaning: 2 x 300 mm



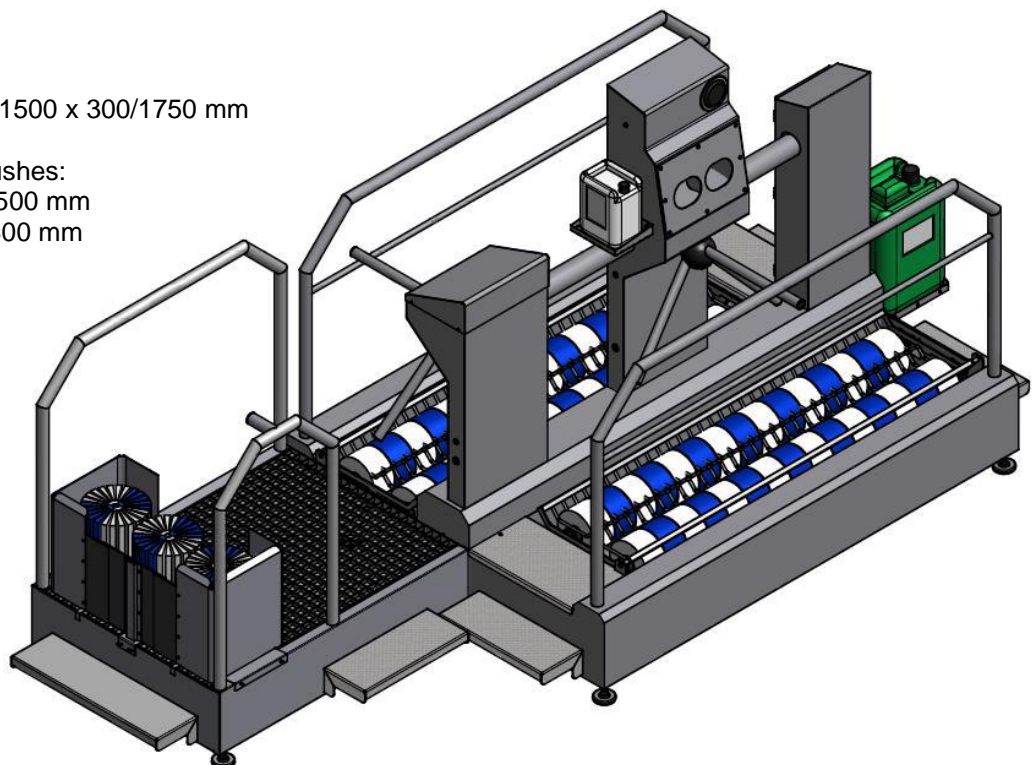
## HS1000/20B with boot shaft cleaning module

With boot shaft cleaning module

With 3 shaft brushes

Dimension LxWxH:  
approx. 3190/3590 x 1500 x 300/1750 mm

effective length of brushes:  
- shoe cleaning 4 x 1500 mm  
- shaft cleaning: 3 x 300 mm



HS1000/15 for disinfection mat

Flat execution without steps, for disinfection mat

Dimension LxWxH:  
approx. 1490 x 1450 x 300/1750 mm

