

3. DSR1000-SR3 – Pass-through shoe sole cleaning station with hand disinfection and boot shaft cleaning

Pass-through sole cleaning and hand disinfection station type DSR1000 with integrated boot shaft cleaning module

Simultaneous sole cleaning and hand disinfection with an adjustable amount of disinfectant, followed by boot shaft cleaning:

The motors of the horizontal rotating brushes as well as the water (via solenoid valve) and detergent (via injector) supplies are activated by stepping onto the grid and stop immediately after leaving the grid (no coasting and therefore cost-effective); optional: activation via photo sensors.

The hand disinfection unit is sensor-activated with both hands synchronistic ally. The actuation of the hand disinfection unit initiates the visual release recognition (red cross = locked, green arrow = open) and triggers a one-off release of the 3-armed, electro-mechanical turnstile.

The motors of the vertical rotating brushes as well as the water (via solenoid valve) and detergent (via injector) supplies are activated by a push button in the hand rail (no coasting and therefore cost-effective); optional: activation via photo sensors.

The unit is suitable for on-floor installation with height adjustable pedestals and is bi-directional (accessible from both directions). The default setting of the turnstile is open in the opposite direction and can alternatively be set to locked position to also enforce hand disinfection when exiting the sensitive area. The retainers for the detergent/disinfectant are mounted accessibly on the unit.

Technical data:

Material: stainless steel 1.4301 (ss304)

Electrical mains: 400 V/AC, 1.5 A

Control voltage: 24 V

Power consumption: 2 kW

Stainless steel control box:

- mounted accessibly on the unit
- protection class IP 64
- integrated ventilator to avoid condensation

Water inlet: 1/2" BSP, warm water approx. 30-45°C, max. 10 bar

Water outlet: DN50

Option:

- Dry cleaning of the shoe soles with drawer for dirt collection and removal

Article No. Ending with „T“

without surcharge

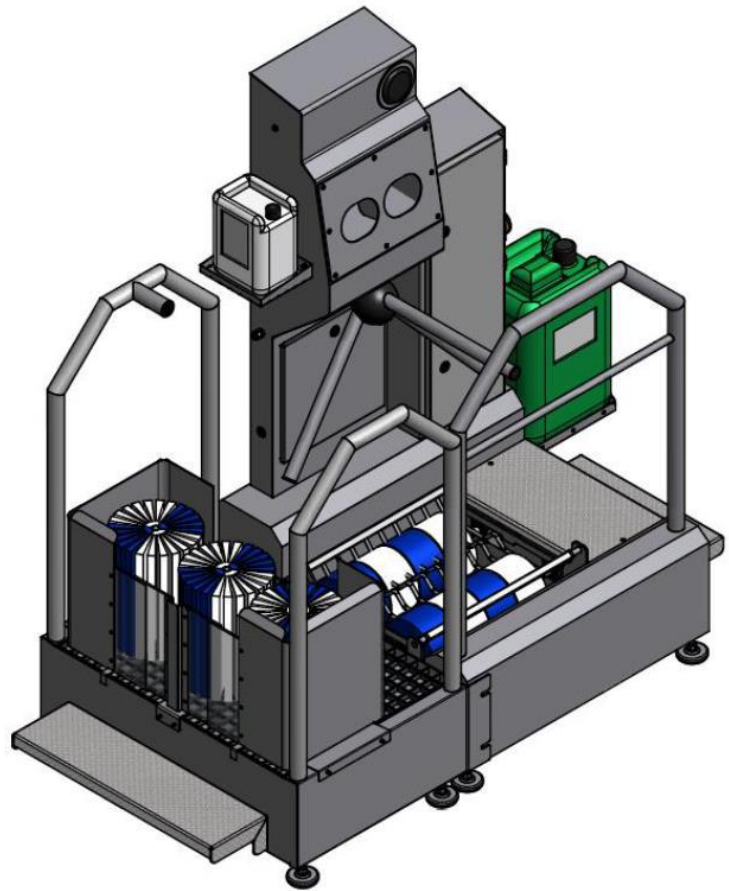
Executions:

See next sides

DSR1000.MINI-SR3

Dimension: LxWxH
approx. 1450/1850 x 900 x 300/1750 mm

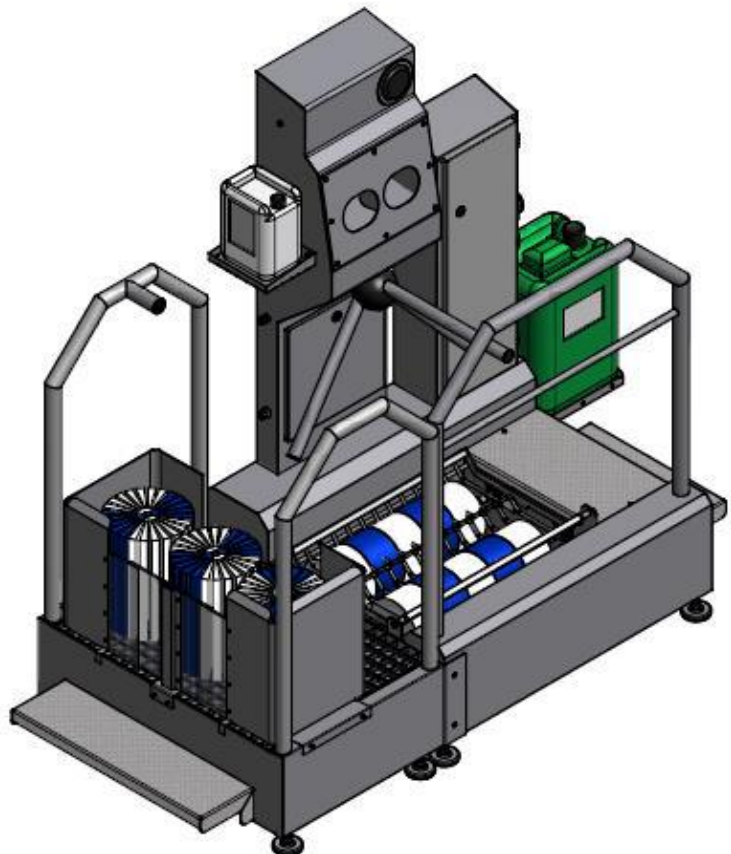
effective length of brushes
- shoe cleaning: 2 x 400 mm
- shaft brushes: 3 x 300 mm



DSR1000/10SR3

Dimension: LxWxH
approx. 1590/1990 x 900 x 300/1750 mm

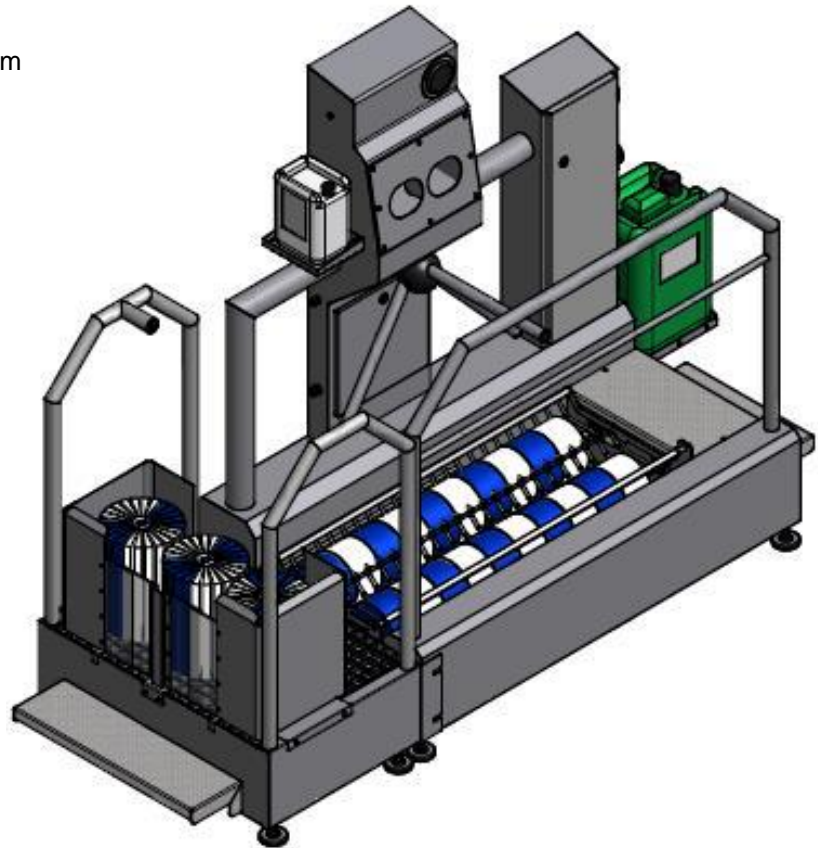
effective length of brushes
- shoe cleaning: 2 x 500 mm
- shaft brushes: 3 x 300 mm



DSR1000/15SR3

Dimension: LxWxH
approx. 2090/2490 x 900 x 300/1750 mm

effective length of brushes
- shoe cleaning: 2 x 1000 mm
- shaft brushes: 3 x 300 mm



DSR1000/20SR3

Dimension: LxWxH
approx. 2590/2990 x 900 x 300/1750 mm

effective length of brushes
- shoe cleaning: 2 x 1500 mm
- shaft brushes: 3 x 300 mm

DSR1000.MINI-SRM

Pass-through sole cleaning with lateral attached boot shaft cleaning module and with lateral exit (left or right side) so that shoe wearer can leave the machine. Boot wearer use, if necessary, the boot shaft cleaning for cleaning and disinfection of the boots with 3 shaft brushes. Activation via push-button on the hand rail.

Dimension: LxWxH
approx. 2050/2450 x 900/110 x 300/1750 mm

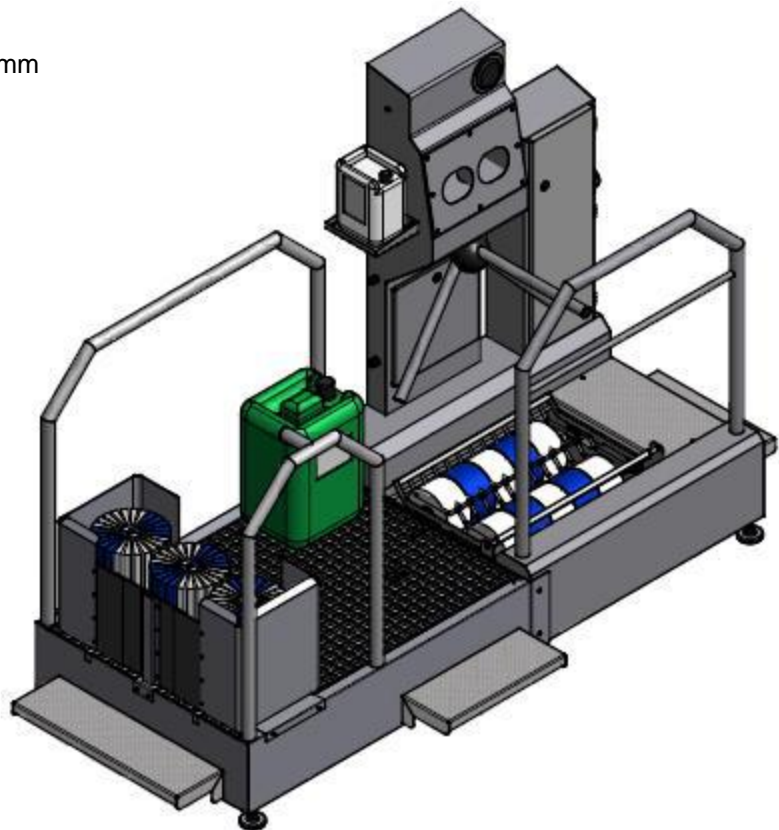
effective length of brushes
- shoe cleaning: 2 x 400 mm
- shaft brushes: 3 x 300 mm

DSR1000/10SRM

Pass-through sole cleaning with lateral attached boot shaft cleaning module and with lateral exit (left or right side) so that shoe wearer can leave the machine. Boot wearer use, if necessary, the boot shaft cleaning for cleaning and disinfection of the boots with 3 shaft brushes. Activation via push-button on the hand rail.

Dimension: LxWxH
approx. 2190/2590 x 900/110 x 300/1750 mm

effective length of brushes
- shoe cleaning: 2 x 500 mm
- shaft brushes: 3 x 300 mm

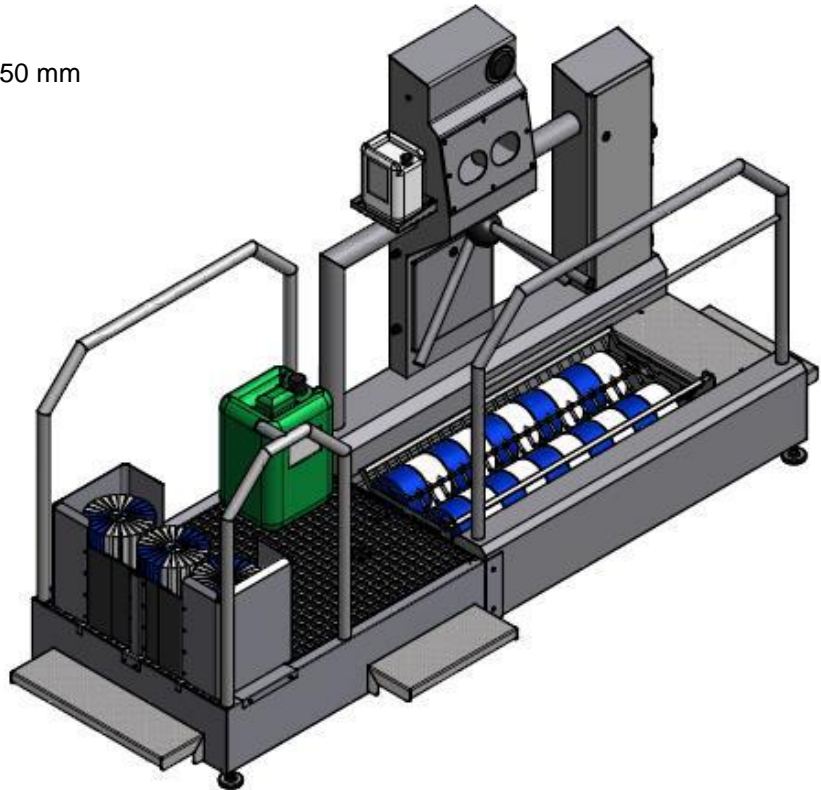


DSR1000/15SRM

Pass-through sole cleaning with lateral attached boot shaft cleaning module and with lateral exit (left or right side) so that shoe wearer can leave the machine. Boot wearer use, if necessary, the boot shaft cleaning for cleaning and disinfection of the boots with 3 shaft brushes. Activation via push-button on the hand rail.

Dimension: LxWxH
approx. 2690/3090 x 900/110 x 300/1750 mm

effective length of brushes
- shoe cleaning: 2 x 1000 mm
- shaft brushes: 3 x 300 mm

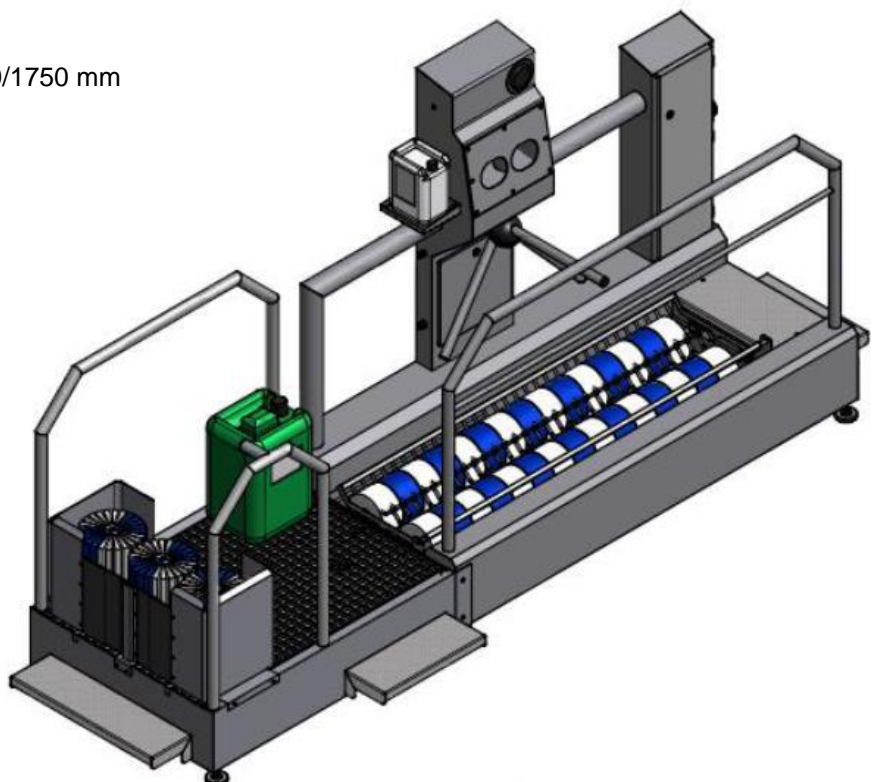


DSR1000/20SRM

Pass-through sole cleaning with lateral attached boot shaft cleaning module and with lateral exit (left or right side) so that shoe wearer can leave the machine. Boot wearer use, if necessary, the boot shaft cleaning for cleaning and disinfection of the boots with 3 shaft brushes. Activation via push-button on the hand rail.

Dimension: LxWxH
approx. 3190/3590 x 900/110 x 300/1750 mm

effective length of brushes
- shoe cleaning: 2 x 1500 mm
- shaft brushes: 3 x 300 mm



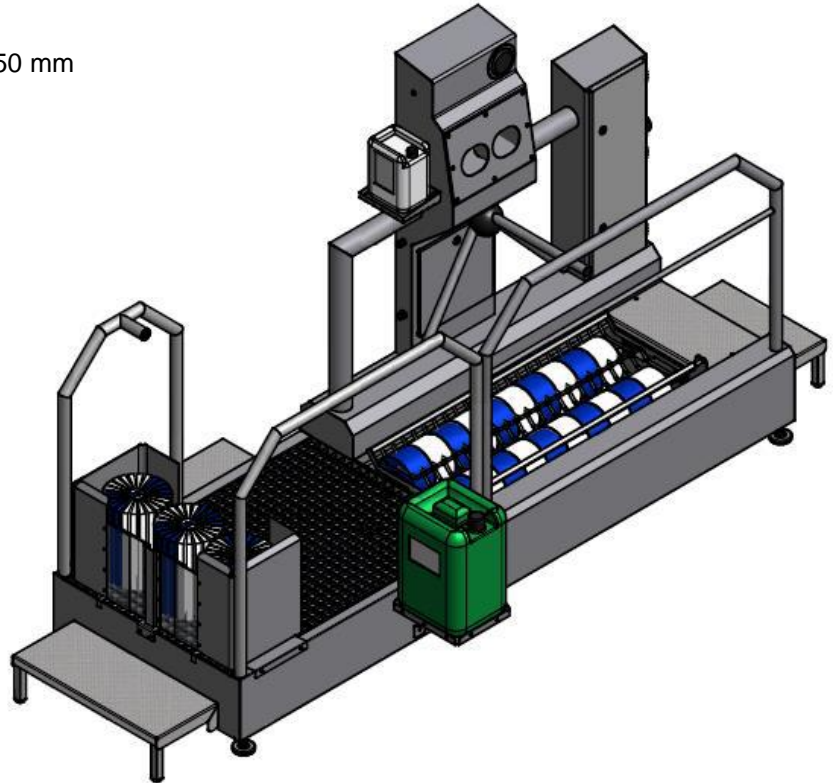
Examples special executions

DSR1000/15SRM Exit right

With lateral exit for shoe wearer on the right side and wider exits with pedestals

Dimension: LxWxH
approx. 2690/3090 x 900/110 x 300/1750 mm

effective length of brushes
- shoe cleaning: 2 x 1000 mm
- shaft brushes: 3 x 300 mm



DSR1000/10SR2

With 2 boot shaft brushes for cleaning of boot if necessary

Dimension: LxWxH
approx. 1590/1990 x 900/1100 x 300/1750 mm

effective length of brushes
- shoe cleaning: 2 x 500 mm
- shaft brushes: 2 x 300 mm

