

## Turnstile (3-armed) – soap dispenser combination

Sensor-controlled contact-free soap dispenser an adjustable amount of liquid is dispensed into one hand. The actuation of the soap disinfection unit activates the visual release recognition and triggers a one-off release of the turnstile.

The device disposes as standard of one emergency-stop-button with alarm signal - Deactivation of the alarm signal occurs about a key!

The retainer for the disinfectant is mounted easily accessible on the unit.

### Technical Data:

Material: stainless steel 1.4301(ss304)

Electrical connection: 230 V 50 Hz, 0,5 kW

Control voltage: 24 V DC

Stainless steel switchboard:

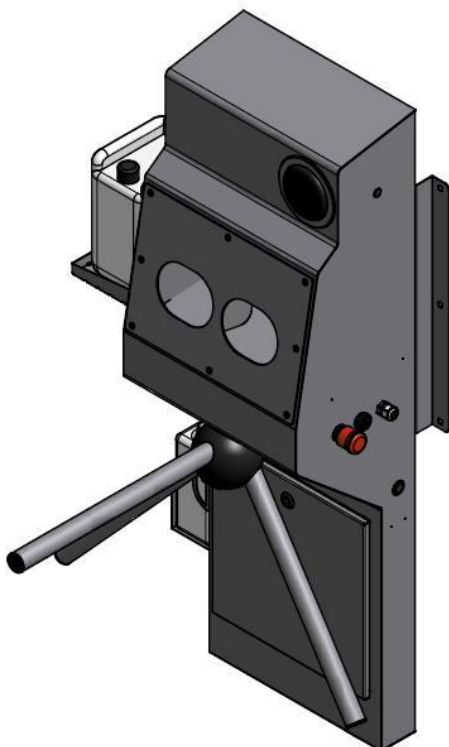
- integrated in the unit
- Protection class IP 64

## Executions

### HDSDK

For wall mounting

Dimension LxWxH  
approx. 400 x 280/772 x 1254 mm



### HDSDK-F

With base support for floor mounting

Dimension LxWxH  
approx. 400 x 280/772 x 1460 mm

