

Controlled, modular hand hygiene station with soap dispenser, wash basin, towel dispenser, waste paper basket, hand disinfection and electro-mechanical turnstile.

The following stations are passed through successively:

1. contact-free sensor-controlled soap dispenser (one hand activation) dispenses an adjustable amount of liquid soap into the hand
2. contact-free sensor-controlled hand wash basin, the warm water supply is activated via a sensor for an adjustable time
3. paper towel dispenser to dry hands, wastepaper basket (option: hot air dryer)
4. contact-free sensor-controlled hand disinfection with relay to release the turnstile as well as visual signals for release recognition (red cross = locked, green arrow = open). The counter-direction out of the production alternatively open or locked. Turnstile: 3-armed, electro-mechanically actuated, coupled with hand disinfectant dispenser

Both retainers for the disinfectant and liquid soap are easily accessibly placed on the unit.

Technical data:

Material: stainless steel 1.4301

Electrical connection 230 V - 50 Hz

Stainless steel switchboard:

- integrated on the unit - protection class IP 64
- incl. ventilator in the switchboard to avoid condensate

Water inlet: G1/2" BSP, warm water approx. 30-35°C, max. 10 bar

Water outlet: 1 1/2" x 70 mm

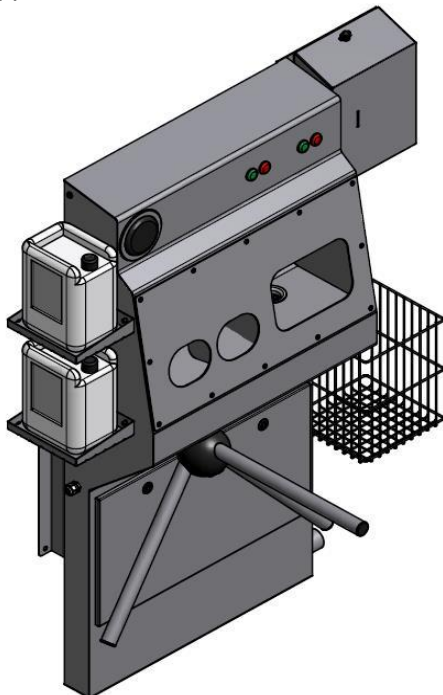
Executions

KMH

For wall mounting

Dimension LxWxH

approx. 1155 x 340/772 x 1430 mm

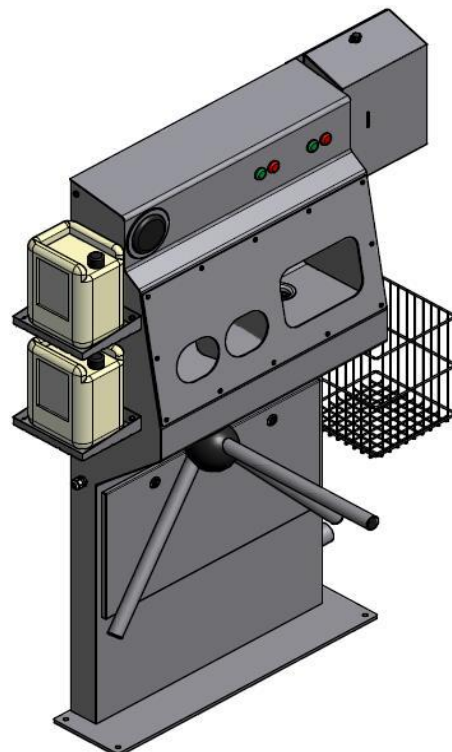


KMH-F

With base support for floor mounting

Dimension LxWxH

approx. 405 x 280/750 x 1537 mm



KMHDDB

Controlled hand hygiene station with soap dispenser, wash basin, towel dispenser, waste paper basket, hand disinfection, electromechanical turnstile and disinfection basin

During the shoe disinfection in the disinfection basin, following stations are passed through successively:

1. sensor-controlled contact-free soap dispenser (one hand activation): an adjustable amount of liquid soap is dispensed into the hand
2. sensor-controlled contact-free hand wash basin, activation of warm water supply for an adjustable time
3. Paper towel dispenser to dry hands, wastepaper basket (optional against surcharge: air dryer)
4. sensor-controlled contact-free hand disinfectant dispenser (two-hand actuation): an adjustable amount of disinfectant is dispensed into both hands.
5. The actuation of the hand disinfection unit activates the visual release recognition (red cross = locked, green arrow = open) and triggers on one-off release of the turnstile. The 3-armed, electromechanical turnstile can alternatively be set to open or locked position in the opposite direction.

Disinfection basin with automatic self-filling and simultaneous metering of cleaning/disinfectant by means of dosing pump, inclusive automatic re-dose of the disinfectant after personal amount, manual emptying by overflow condition pipe plug-in. Standard version to the soil installation, slide-restraining grating

Three retainers for the cleaning, disinfectant and liquid soap are mounted easily accessible on the unit.

Technical data:

Material: stainless steel 1.4301 (ss304)

Dimensions (LxWxH):

approx. 1130 x 950 x 1880 mm

Electrical connection 230 V - 50 Hz

Stainless steel switchboard:

- integrated on the unit
- protection class IP 64
- ventilator to avoid condensation

Water inlet: 1/2" BSP, warm water approx.

30-45°C, max. 10 bar

Water outlet: 1 1/2" x 70 mm

